



Expires: December 31, 2024

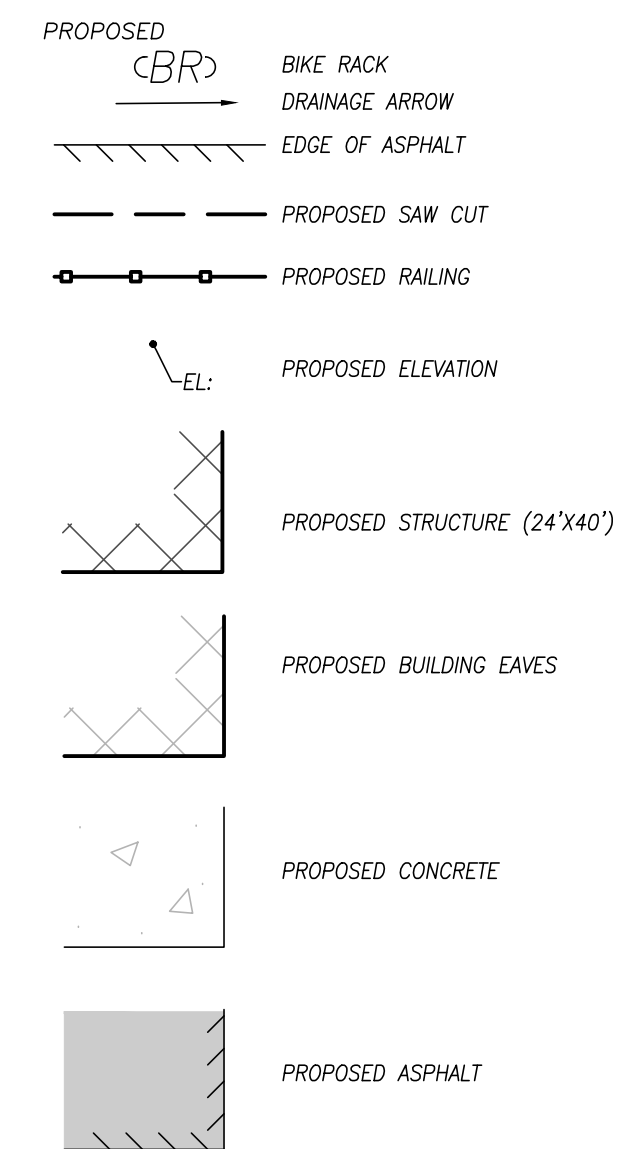
project title:

**FLORENCE TRANSFER STATION
 E-WASTE BUILDING**
 LANE COUNTY WASTE MANAGEMENT
 2820 RHODODENDRON DR
 FLORENCE, OREGON 97439

CONSTRUCTION NOTES

- (201) CONSTRUCT LEVEL 2, 1/2" DENSE HMAC OVER 3/4"-0 CRUSHED ROCK PER PAVING DETAIL, THIS SHEET.
- (202) CONSTRUCT CONCRETE APRON OVER 3/4"-0 CRUSHED ROCK PER CONCRETE APRON DETAIL, THIS SHEET.
- (203) SAWCUT EXISTING ASPHALT CONCRETE.
- (204) REMOVE ASPHALT SURFACE.
- (402) PROTECT AND ADJUST UTILITY TO GRADE.
- (405) INSTALL ROOF DOWNSPOUT TO DRAIN ONTO SURFACE.
- (406) CONSTRUCT MONOLITHIC SIDEWALK PER DETAIL 3, THIS SHEET.
- (407) CONSTRUCT RAILING PER DETAIL 4, THIS SHEET.
- (408) INSTALL BOLLARD PER DETAIL 2, SHEET C2.
- (409) CONSTRUCT ACCESSIBLE ROUTE & VAN-ACCESSIBLE ADA PARKING STALL WITH CONCRETE PAVING PER DETAIL 3, SHEET C2.
- (410) PARALLEL PARKING SPACE STRIPING.
- (411) INSTALL BIKE RACK PER DETAIL 1, SHEET C2.

LEGEND



DRAINAGE PLAN

PROJECT SIZE IS LESS THAN 5,000 SQ FT AND DOES NOT INVOLVE ANY ADDITIONAL IMPERVIOUS SURFACE AREA THAN EXISTING CONDITIONS.

CONVEYANCE OF STORMWATER:

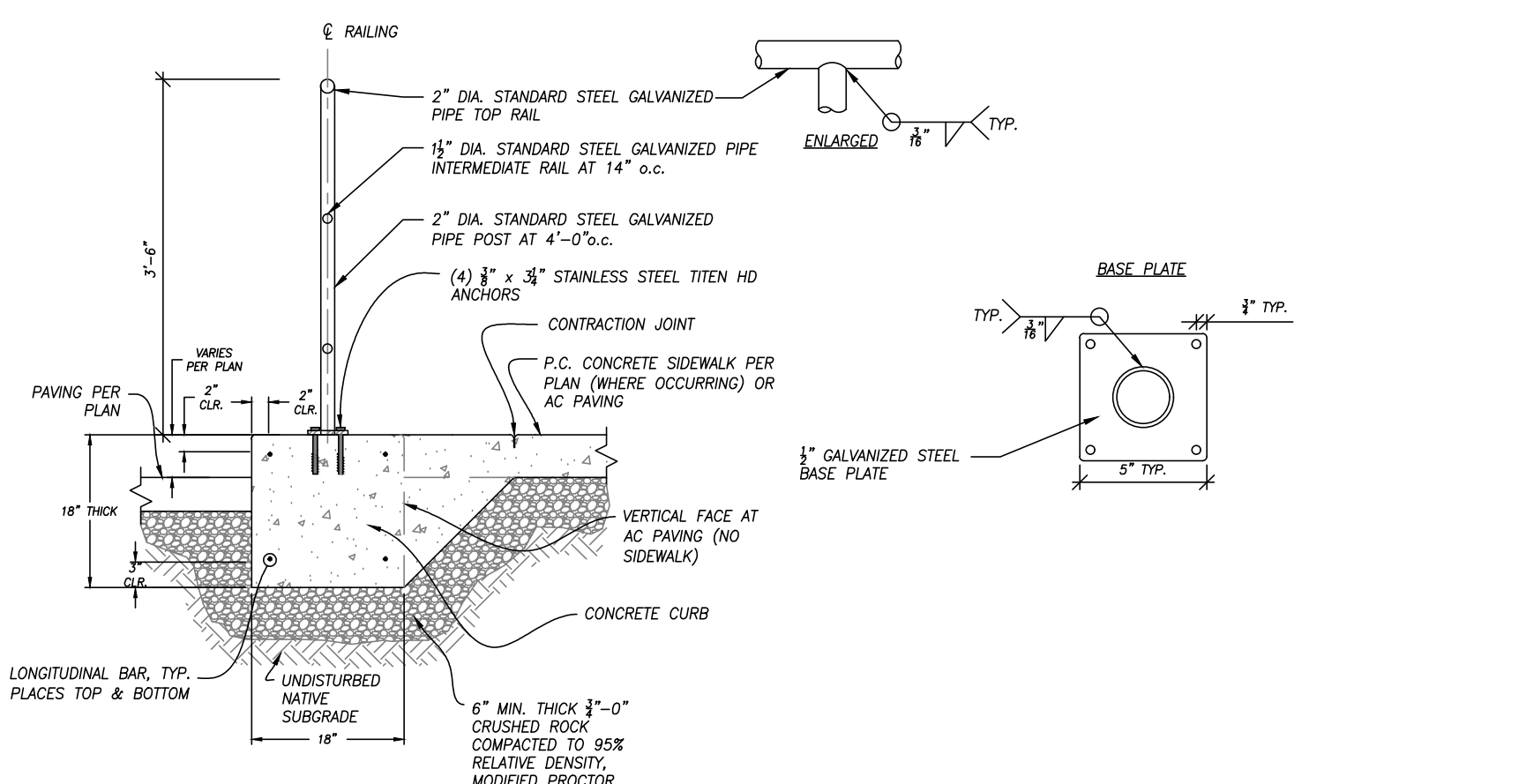
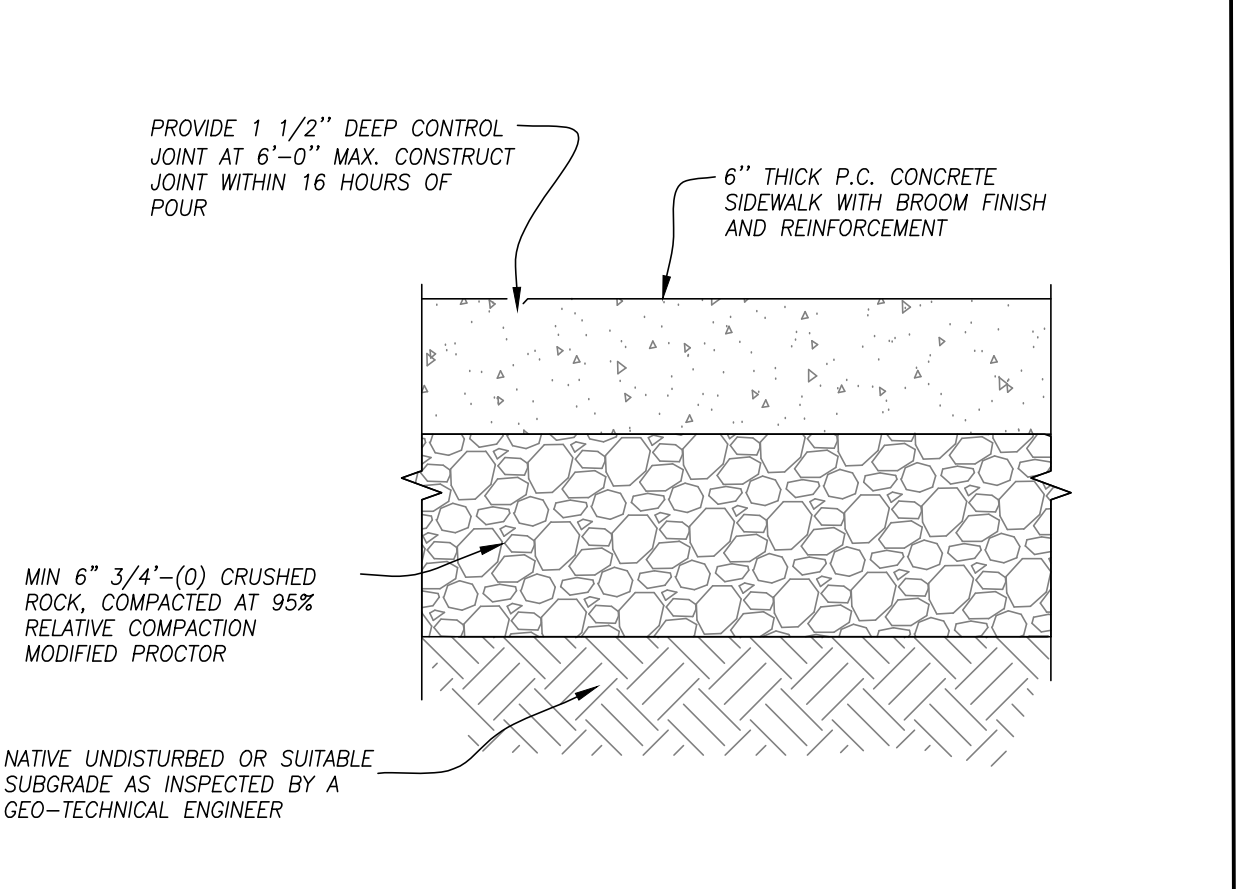
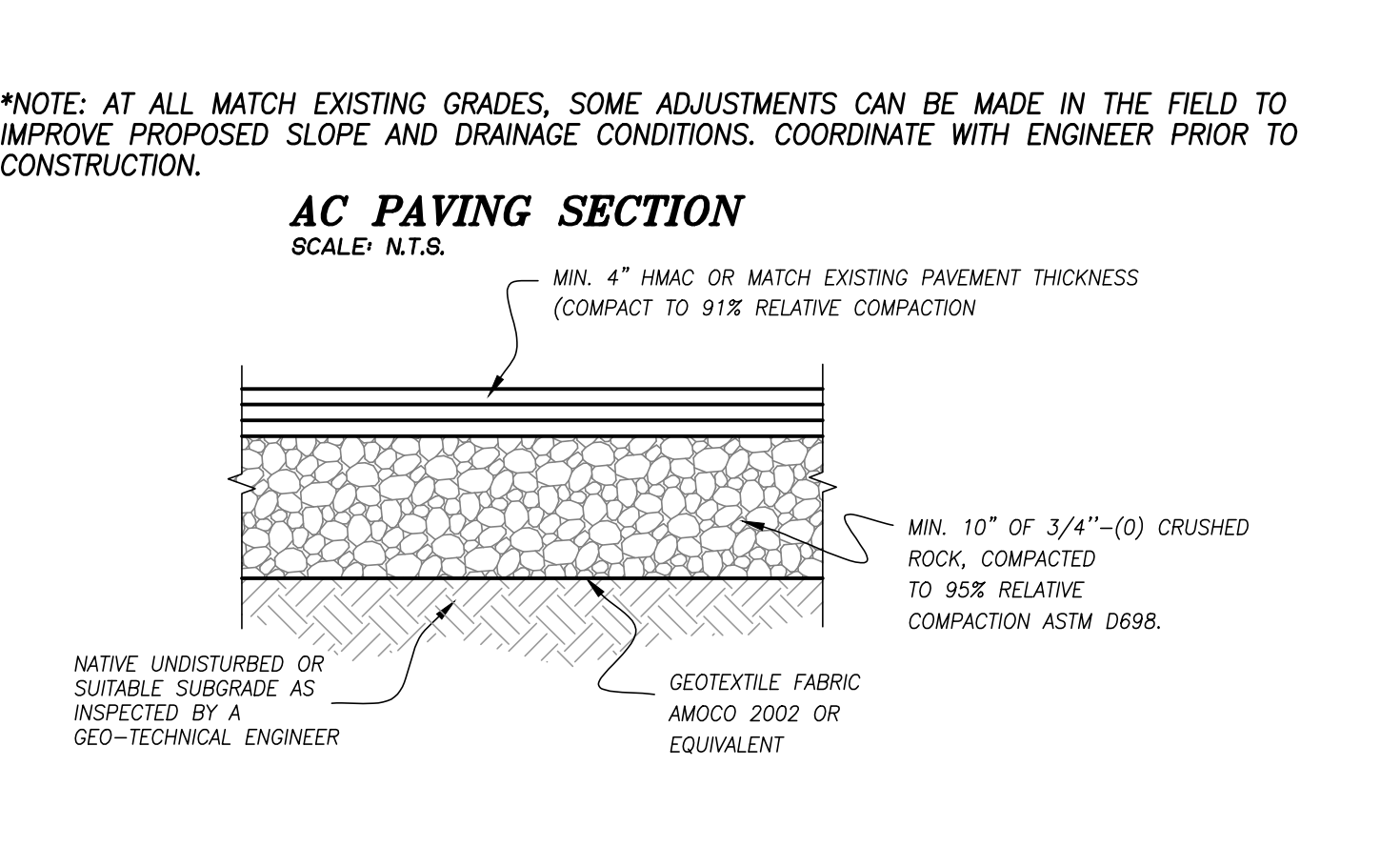
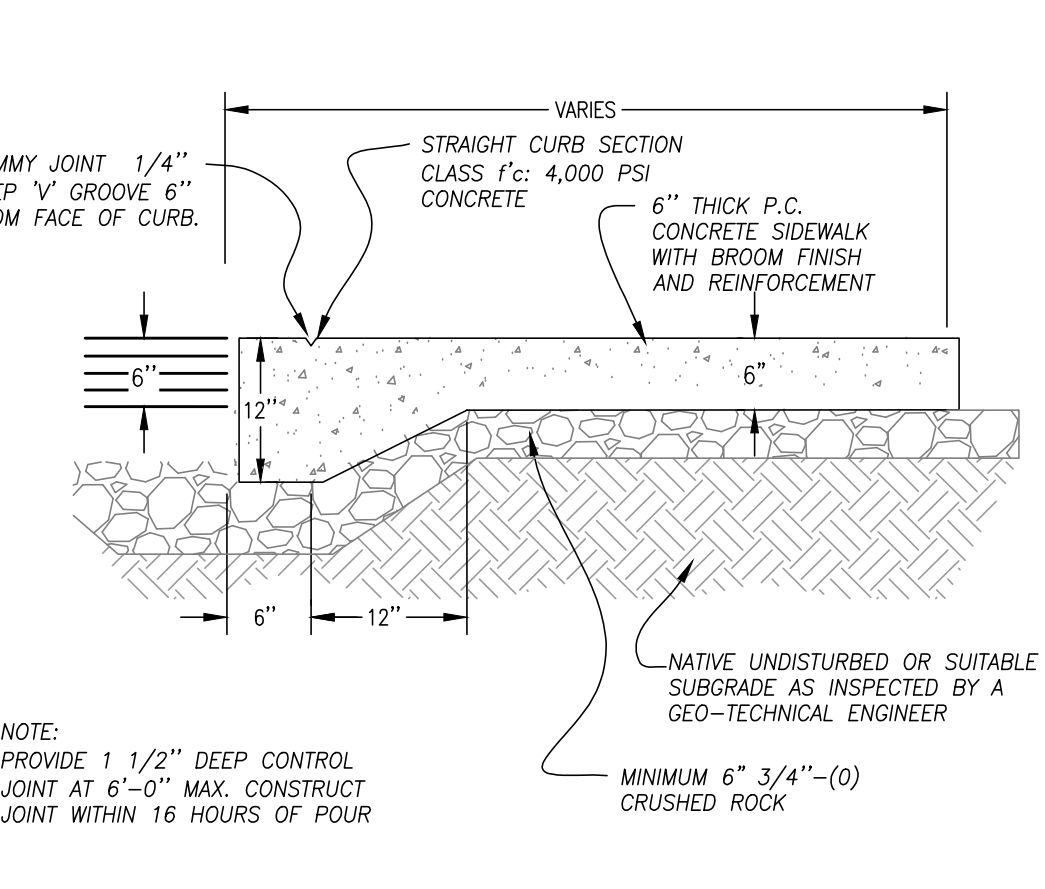
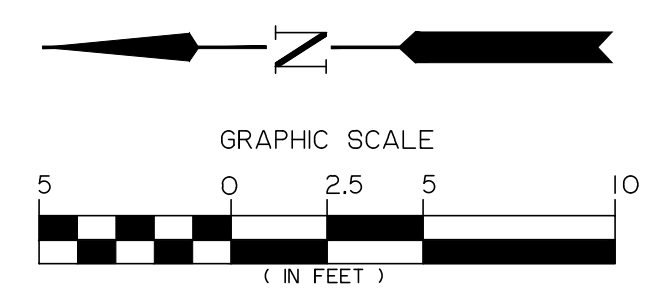
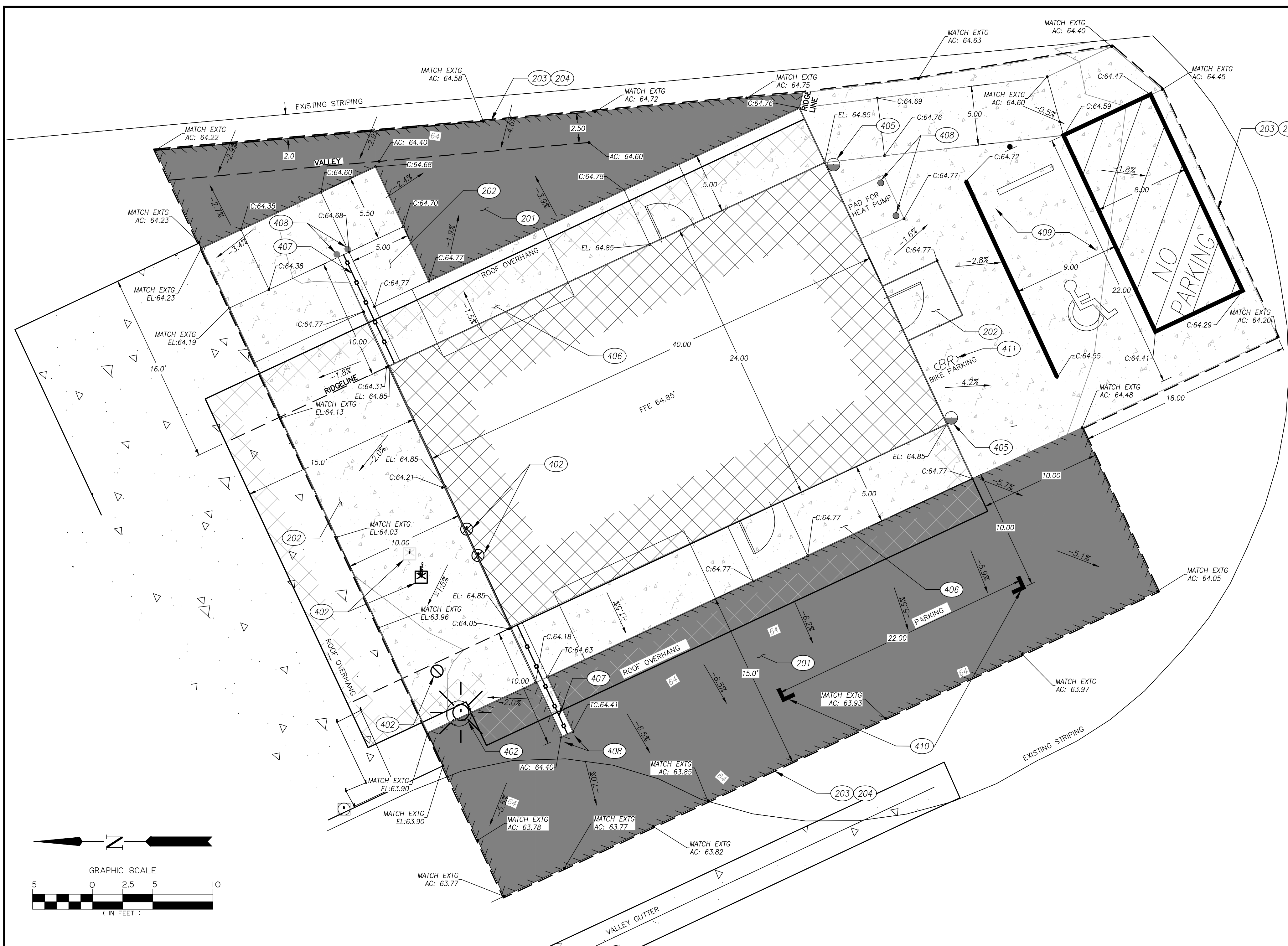
ROOF DRAINS ON THE SOUTH SIDE OF THE PROPOSED STRUCTURE WILL DRAIN TO SURFACE AND STORMWATER WILL BE ROUTED TO THE EXISTING VALLEY GUTTER WHICH DRAINS TO AN EXISTING STORMWATER FACILITY NORTH OF THE PROJECT LOCATION THAT WAS CONSTRUCTED IN 2020. THE REMAINDER OF THE STORMWATER WILL SURFACE DRAIN AWAY FROM THE PROJECT SITE AND MATCH EXISTING CONDITIONS.

PARKING PLAN

A VAN-ACCESSIBLE PARKING SPACE IS PROPOSED AS SHOWN PER REQUIREMENT OF CONDITIONS 4.3 OF THE RESOLUTION PC 20 06 CUP 02.

A PARALLEL PARKING SPACE IS PROVIDED ON THE WEST END OF THE PROPOSED STRUCTURE.

BIKE PARKING IS PROVIDED ON THE SOUTH SIDE OF THE PROPOSED STRUCTURE.



- revisions:
- △
 - △
 - △
 - △

date: FEBRUARY 12, 2024
 drawn by: TCH
 designer: NP
 project no: 21-190

GRADING PLAN
 sheet: **C1**



Expires: December 31, 2024

project title:

**FLORENCE TRANSFER STATION
E-WASTE BUILDING**
LANE COUNTY WASTE MANAGEMENT
2820 RHODODENDRON DR
FLORENCE, OREGON 97439

revisions:

- △
- △
- △
- △

date: FEBRUARY 12, 2024

drawn by: TCH

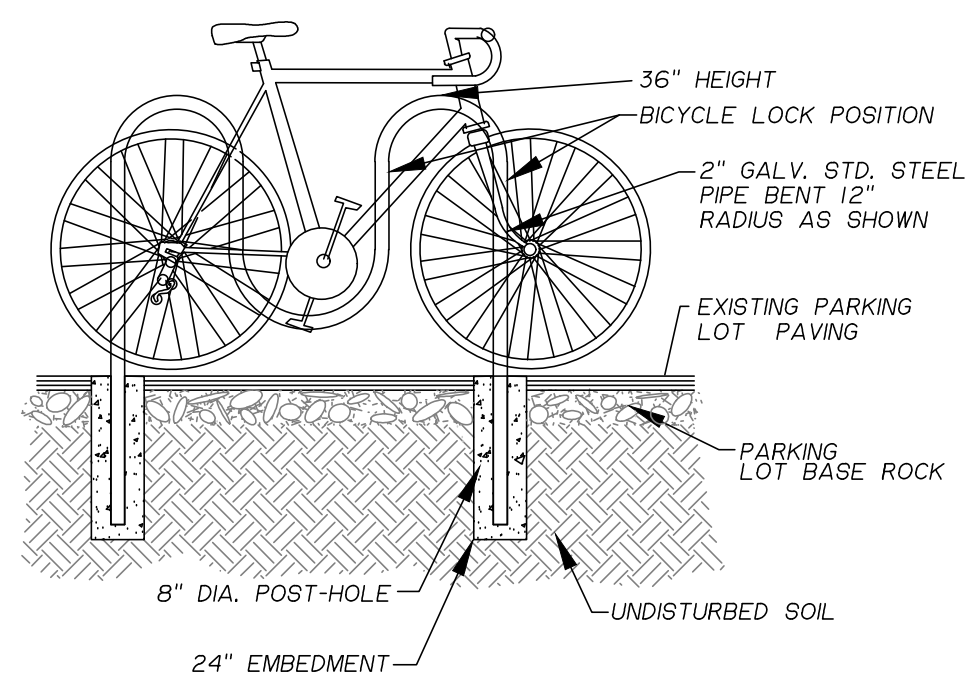
designer: NP

project no: 21-190

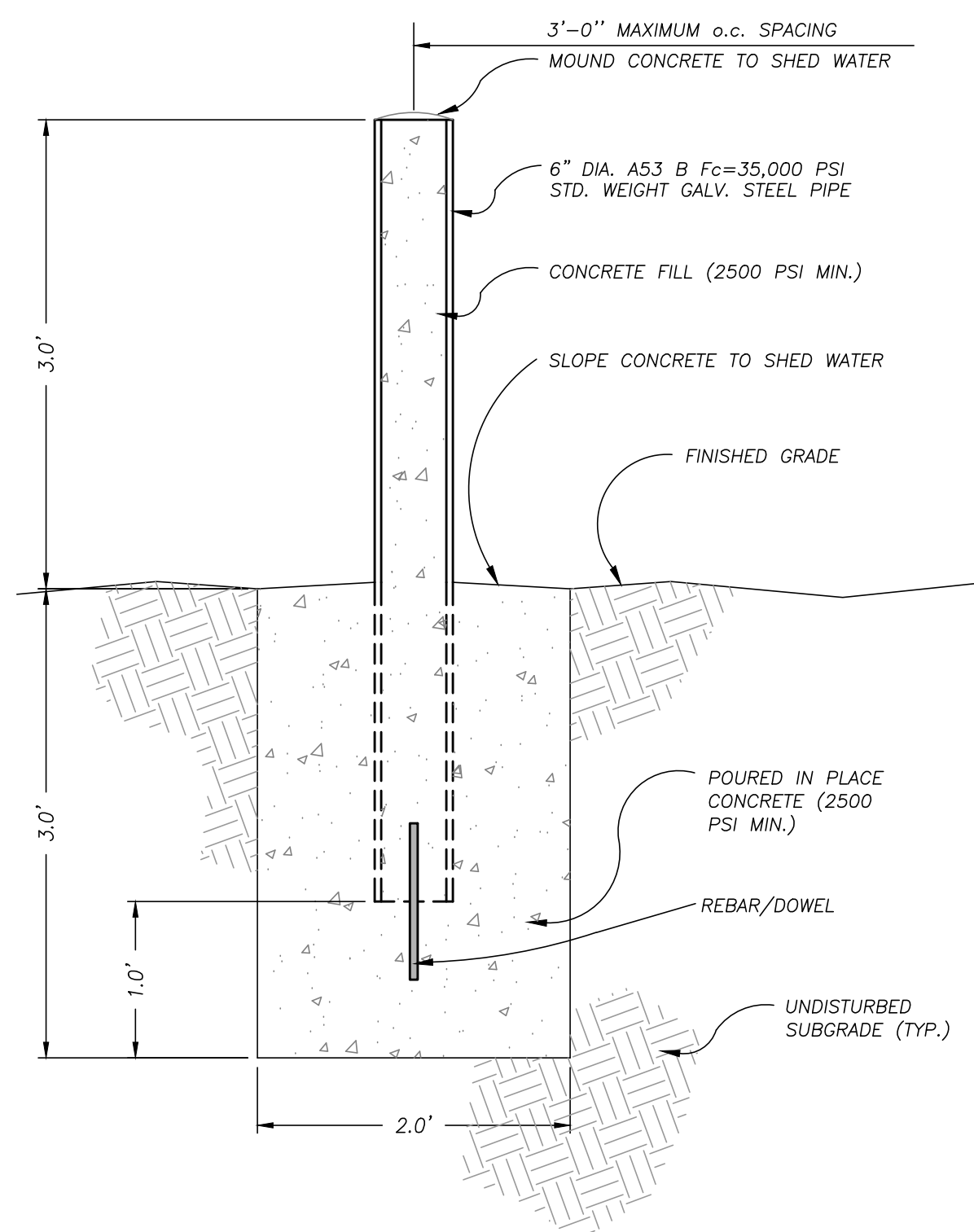
DETAILS

sheet:

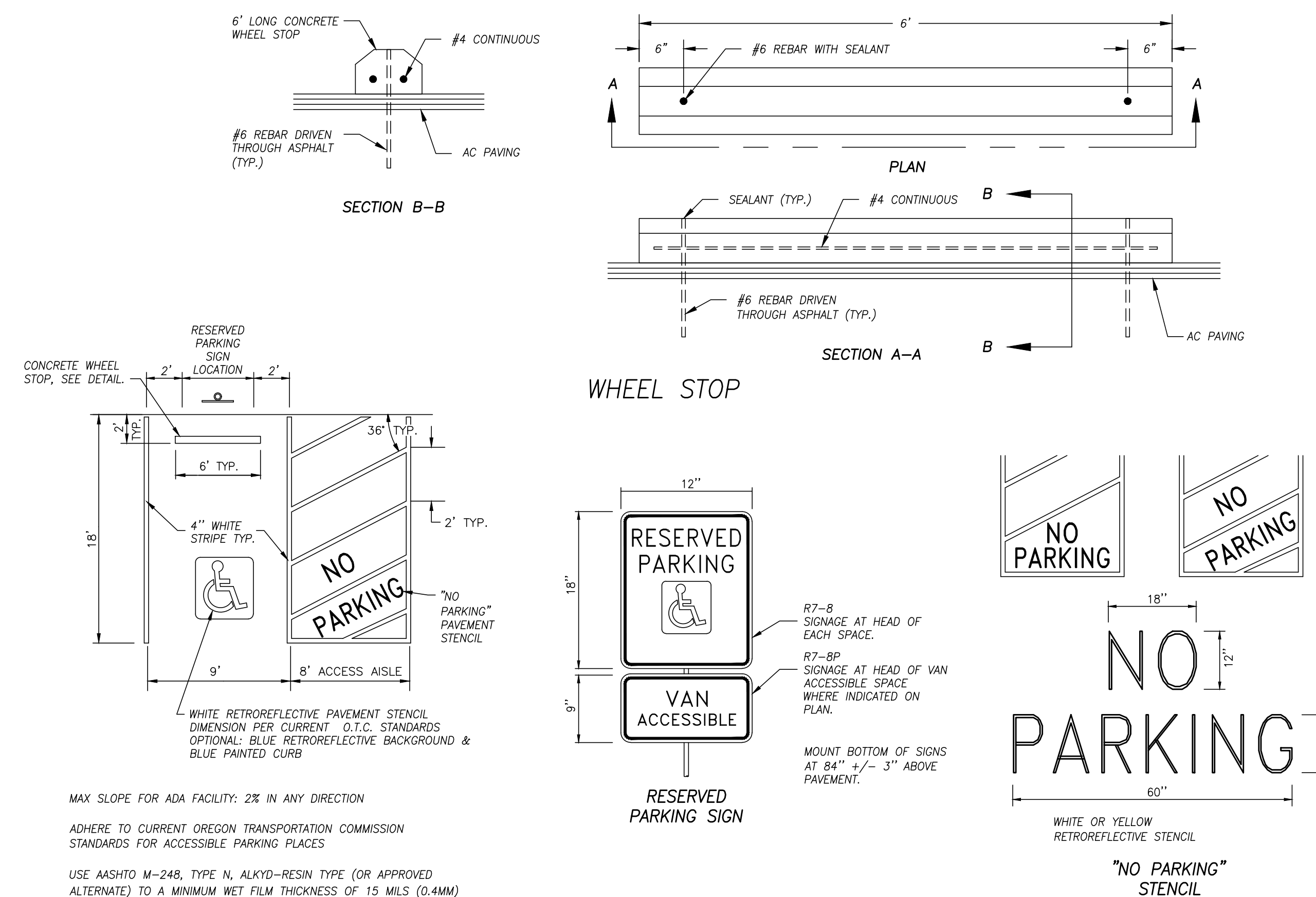
C2



1 BIKE RACK
SCALE: N.T.S.



2 BOLLARD
SCALE: N.T.S.



3 ACCESSIBLE PARKING STALL DETAIL
SCALE: N.T.S.