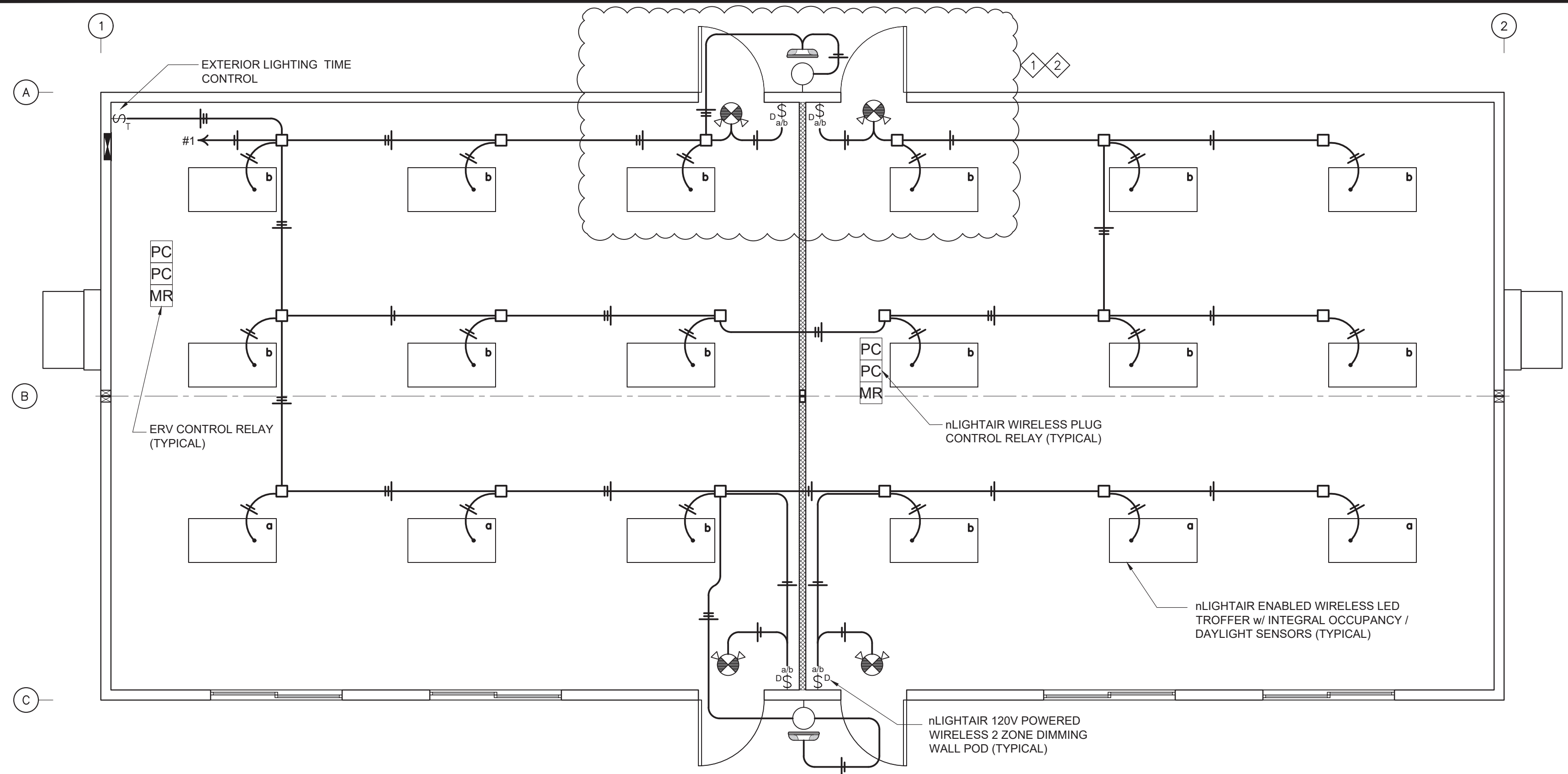
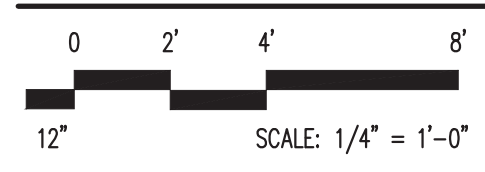


EXHIBIT G LIGHTING PLAN



ELECTRICAL LIGHTING PLAN



ars 11/18/2021



	QTY.	SIZE	DESCRIPTION
ELECTRICAL PANEL	1	200 AMP	SINGLE PHASE - PVC STUB THRU - 120/240 VOLT
RACEWAY MATERIAL		VARIES	METALLIC RACEWAY SYSTEM - EMT, MC CABLE AND/OR FLEX CONDUIT
HVAC	2	3 TON	BARD 10 kW WALL HUNG HEAT PUMP w/ERV - 11 EER
HVAC CONTROLS	2		THERMOSTAT - BARD #8403-060
	2		CO2 SENSOR - BARD #8403-067 DEMAND CONTROL VENTILATION
	2		OUTDOOR SENSOR - BARD #8403-061
LIGHTING	18	2 x 4	LED VOLUMETRIC TROFFER-nLIGHT AIR ENABLED-6000 LUMEN-48 WATTS -4000K-LITHONIA-2BLT4 60L ADPT EZ1 LP840 NNLTAIR2 RES7 PWS1836
	2		18 WATT VANDAL RESISTANT LED PORCH LIGHT w/PHOTOCELL RAB SLIM18/PC

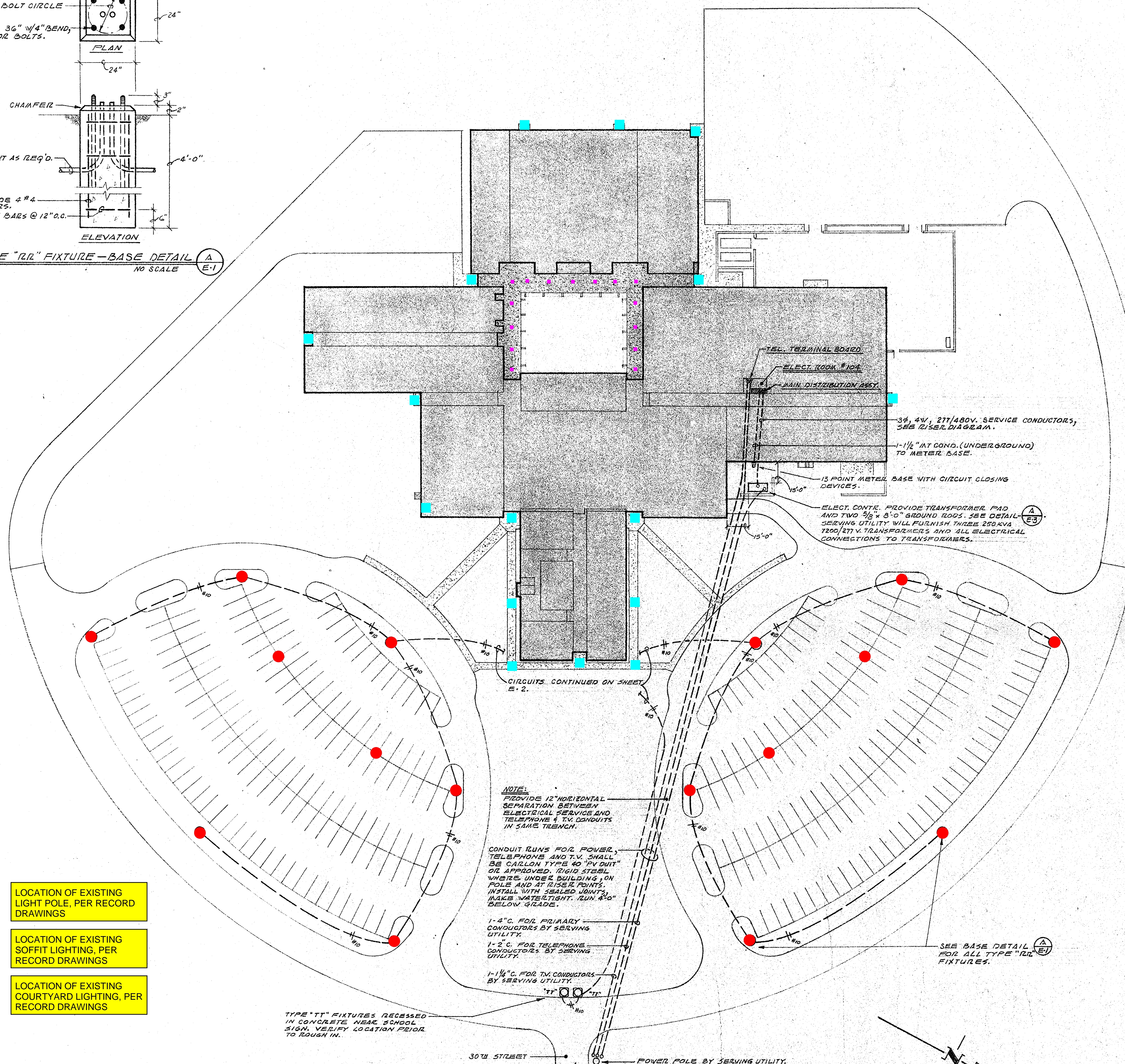
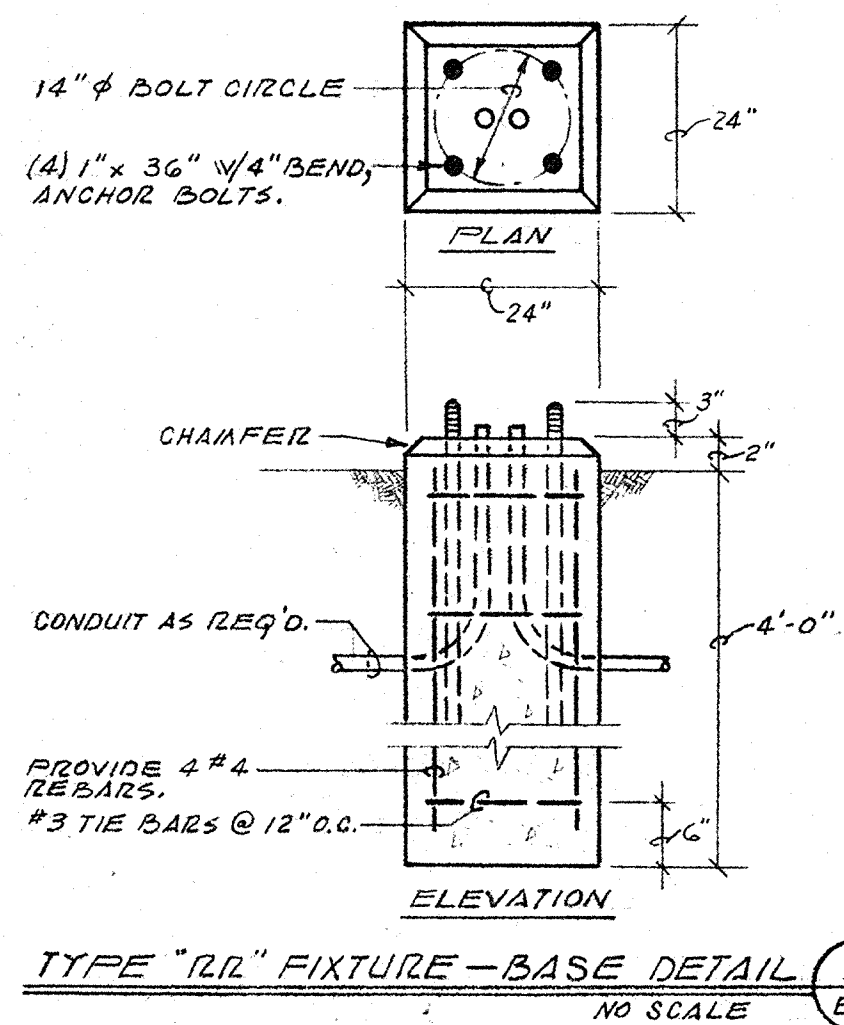
ELECTRICAL SYMBOLS							
SYMBOL	DESCRIPTION	AFF TO TOP	REMARKS	SYMBOL	DESCRIPTION	AFF TO TOP	REMARKS
	ELECTRIC PANEL	72"	FUTURE SOLAR - 3/4" FLEX STUB UP AND DOWN		WALL HUNG HVAC UNIT	AS REQUIRED	SEE MECH SCHEDULE AND CALCS
	TR DUPLEX RECEPTACLE HALF CONTROLLED HALF HOT	20" UNO	180 VA EACH TAMPER RESISTANT		THERMOSTAT	48"	4" SQ BOX SINGLE GANG MR WITH 1/2" CONDUIT STUB UP
	DUPLEX RECEPTACLE CEILING MOUNT-CONTROLLED	CEILING	180 VA EACH		CO2 SENSOR	48"	4" SQ BOX SINGLE GANG MR WITH 1/2" CONDUIT STUB UP
	SINGLE CLOCK HANGER RECEPTACLE	84"	180 VA EACH		nLIGHT ENABLED LED TROFFER w/ INTEGRAL SENSORS	CEILING	48 VA EACH
	WP GFCI WEATHERPROOF GFCI RECEPTACLE	20"	180 VA EACH		LED WALL PACK WITH INTEGRAL PHOTOCELL	84"	20 VA EACH
	nLIGHT DIMMING CONTROL	48"	DIMMING CONTROL. LOWER CASE LETTERS DESIGNATE ZONING		EXT. EMERGENCY LIGHT	94"	WITH 90 MINUTE BATTERY BACK UP
	24/7 TIME CONTROL FOR EXTERIOR LIGHTING	48"			EMERGENCY/EXIT COMBO	ABOVE DOOR	WITH 90 MINUTE BATTERY BACK UP
	nLIGHT RPP20-24-G2 PLUG LOAD CONTROL RELAY	ABOVE CEILING	CONTROLLED BY nLIGHT ENABLED FIXTURE OCCUPANCY SENSORS		FIRE ALARM PULL SHEET E-4	48"	
	HVAC RELAY FOR ERV CONTROL	ABOVE CEILING	TRIGGERED BY nLIGHT PLUG LOAD CONTROLLER		FIRE ALARM EXTERIOR HORN/STROBE	84"	3/4" RACEWAY ONLY STUB UP AND DOWN. PAINT RACEWAY AND BACK BOX SUBSTANTIALLY RED IN COLOR
	DATA OUTLET	20"	4" SQ BOX SINGLE GANG MR WITH 3/4" FLEX CONDUIT UP AND DOWN		FIRE ALARM INTERIOR HORN/STROBE	84"	
	DS DOOR SWITCH - HVAC	AS REQUIRED	3/4" FLEX CONDUIT FROM DOOR FRAME 18/2 TO HVAC UNIT				

11-18-21	ELECTRICAL ENGINEERING	ARS	COPYRIGHT 2021, BLAZER INDUSTRIES, INC. THIS MATERIAL IS THE EXCLUSIVE PROPERTY OF BLAZER INDUSTRIES, INC. AND SHALL NOT BE REPRODUCED, USED, OR DISCLOSED TO OTHERS EXCEPT AS AUTHORIZED BY THE WRITTEN PERMISSION OF BLAZER INDUSTRIES.	P.O. BOX 489 945 Olney St. ■ Aumsville, OR 97325-0489	MODULAR	CLASSROOM for: STOCK Pacific Mobile	Approved for Const:	Job No: 20097-20102
11-23-21	PLAN REVIEW - JH	TOM			28x64		File Copy:	
1-11-22	ENGINEERING REVIEW	HEM			OR, WA		Drawn By: TOM	
DATE	REVISION	BY			21 BLMP-01 A4	Issue Date: 12-01-21		

E-2

R:\2022 Drawings\Classrooms and Daycares\20097-102 Master Plan 03 28x64 Classroom.dwg, E-2, 1/11/2022 12:01:02 PM

**EXHIBIT G
LIGHTING PLAN**



- LOCATION OF EXISTING LIGHT POLE, PER RECORD DRAWINGS
- LOCATION OF EXISTING SOFFIT LIGHTING, PER RECORD DRAWINGS
- LOCATION OF EXISTING COURTYARD LIGHTING, PER RECORD DRAWINGS

TYPE "TT" FIXTURES RECESSED IN CONCRETE NEAR SCHOOL SIGN. VERIFY LOCATION PRIOR TO ROUGH-IN.

SITE PLAN
SCALE: 1" = 40'-0"

SYMBOL LIST

- | | | | |
|---|--|---|---|
| Ⓜ | FLUORESCENT FIXTURE, CODE LETTER SHOWN. | Ⓢ | JUNCTION BOX. |
| Ⓝ | FLUORESCENT STRIPLIGHT, CODE LETTER SHOWN. | Ⓢ | JUNCTION BOX W/FLEX CONNECTION TO EQUIPMENT. |
| Ⓞ | LIGHT OUTLET, CEILING, CODE LETTER SHOWN. | Ⓣ | FLUSH FLOOR COUPLING. |
| Ⓟ | LIGHT OUTLET, RECESSED, CODE LETTER SHOWN. | Ⓤ | MAGNETIC STARTER. |
| Ⓠ | LIGHT OUTLET, BRACKET, CODE LETTER SHOWN. | ⓖ | DISCONNECT SWITCH. |
| Ⓡ | LIGHT OUTLET, CONNECTED ON EMERGENCY CIRCUIT. | ⓗ | MOTOR OUTLET. |
| Ⓢ | SWITCH, SINGLE POLE, LOCAL LIGHTING CIRCUIT. | ⓘ | BRANCH PANEL (120/208V). |
| Ⓣ | SWITCH, THREE WAY. | ⓙ | BRANCH PANEL (277/480V). |
| Ⓚ | SWITCH, SINGLE POLE, KEY OPERATED. SIERRA #50716. | ⓚ | UNDERFLOOR DUCT WITH CONDUIT ADAPTER. |
| Ⓛ | CLASSROOM FLUSH WALL MTD. PEDESTAL PANEL W/INTEG. LIGHT SWITCHES, PEDESTAL CLOCK, INTERCOM STAKE, AND THERMOSTAT. SEE SPECS. MOUNT TOP OF PANEL AT +6'-3". | ⓛ | EMPTY CONDUIT, SIZE AS NOTED. |
| Ⓜ | DUPLEX RECEPTACLE, GROUNDING TYPE. | ⓜ | CONDUIT RUN IN CEILING OR WALLS. |
| Ⓝ | DUPLEX RECEPTACLE, GROUNDING TYPE MTD. HORIZON. | ⓝ | CONDUIT RUN IN OR UNDER FLOOR. |
| Ⓟ | DUPLEX RECEPTACLE, GROUNDING TYPE WEATHERPROOF. | ⓞ | NUMBER OF CONDUCTORS IN CONDUIT, THREE SHOWN, #2 UNLESS OTHERWISE NOTED. |
| Ⓠ | PLUG/ROD, WIRE/MOLD #20013V W/OUTLETS ATD 180C. | ⓟ | ROCK RUN TO PANEL. |
| Ⓡ | TELEPHONE OUTLET, WALL MTD. UP 1/2" UNLESS NOTED OTHERWISE. | ⓠ | PEDESTAL CLOCK SYSTEM WIRING. |
| Ⓢ | INTERCOM SYSTEM SPEAKER, TRUMPET TYPE. | ⓡ | FIRE ALARM SYSTEM WIRING. |
| Ⓣ | INTERCOM SYSTEM SPEAKER, FLUSH WALL MTD. UP 1/2" WITH BUILT IN CALL SWITCH, UNLESS OTHERWISE NOTED. | ⓢ | INTERCOM SYSTEM WIRING. |
| Ⓤ | FIRE ALARM BREAKGLASS STATION MTD. UP 4'-6". | ⓣ | PUBLIC ADDRESS SYSTEM WIRING. |
| Ⓡ | FIRE ALARM BELL. | ⓤ | TELEPHONE SYSTEM WIRING - 1/4" AT C. UNLESS OTHERWISE NOTED. |
| Ⓢ | AUTOMATIC FIRE DETECTOR STATION. | ⓖ | LOW VOLTAGE SYSTEM WIRING. |
| Ⓣ | DINAKER. | ⓗ | CONDUIT DOWN. |
| Ⓤ | TIME SWITCH. | ⓘ | CONDUIT UP. |
| Ⓥ | TRANSFORMER. | ⓙ | W.P. WEATHER PROOF DEVICE. |
| Ⓦ | SPECIAL OUTLET TYPE AS NOTED. | ⓚ | FLOOR RECEPTACLE, GROUNDING TYPE - FLUSH, R & S #FBCS312 BOX AND #3074 COVER. |
| Ⓧ | INTERCOM SYSTEM SPEAKER, FLUSH CEILING MOUNTED. | ⓛ | UNDERFLOOR DUCT SERVICE FITTING. DUPLEX RECEPTACLE, GROUNDING TYPE. |
| Ⓨ | RANGE RECEPTACLE. HUBBELL #7914 W/798755 PLATE. | ⓜ | MASTER LOW VOLTAGE SELECTOR SWITCH. |
| Ⓩ | TWO DUPLEX RECEPTACLES, GROUNDING TYPE, MTD. IN 2-GANG BOX. | ⓞ | SWITCH, SINGLE POLE WITH PILOT LIGHT. |
| ⓐ | DUPLEX RECEPTACLE, GROUNDING TYPE, WITH TOP HALF OF RECEPTACLE CONTROLLED BY SWITCH AS SHOWN ON PLANS. | ⓟ | CLOCK. SEE SPECS. |
| ⓑ | PUBLIC ADDRESS SYSTEM SPEAKER, SURFACE MTD. | ⓠ | PROGRAM CLOCK BUZZER. |
| ⓓ | PUBLIC ADDRESS SYSTEM COLUMN SPEAKER. | ⓡ | PROGRAM CLOCK HORN. |
| ⓔ | MICROPHONE OUTLET. | ⓢ | TELEVISION OUTLET. MOUNT UP +12". SEE SPECS. |
| ⓕ | DUPLEX RECEPTACLE MOUNTED IN BOX WITH LIGHT SWITCH AND CONNECTED TO SAME CIRCUIT. | ⓣ | MOTOR OPERATED CURTAIN SWITCH. FURNISHED BY CURTAIN SUPPLIER, ELECT. CONTR. INSTALL. |
| ⓖ | ELECTRIC SPACE HEATER. SEE SPECS. | ⓤ | MANUAL MOTOR STARTER W/PILOT LIGHT. FURNISHED BY MECH. CONTRACTOR. ELECT. CONTR. INSTALL. |
| Ⓡ | LIGHT OUTLET, RECESSED STEP LIGHT | ⓖ | THERMOSTAT. SEE SPECS. |
| Ⓢ | INTERCOM SYSTEM SPEAKER, TRUMPET TYPE, TWO DIRECTIONAL. RAULAND #3632-T. | ⓗ | FLOOR MOUNTED TELEPHONE OUTLET, R & S #FBCS312 BOX AND 3067 COVER. |
| | | ⓘ | PHOTO-ELECTRIC CELL. PRECISION #T-15. |
| | | ⓙ | FLOOD LIGHT. |

GENERAL NOTES:

1. CONDUIT AND FIXTURE LAYOUT SHALL BE ALTERED AS REQUIRED TO SUIT ACTUAL EQUIPMENT LAYOUT IN ALL MECHANICAL EQUIPMENT AREAS.
2. ELECTRICAL CONTRACTOR SHALL BE RESPONSIBLE FOR PROVIDING PROPER VOLTAGE FOR ELECT. CONTROL DEVICES SUCH AS MAG'S, TIME SWITCHES, RELAYS, PILOT LIGHTS, ETC.
3. LOCATION OF MECHANICAL EQUIPMENT AS SHOWN ON ELECTRICAL DRAWINGS ARE APPROXIMATELY CORRECT, HOWEVER ELECT. CONTRACTOR SHALL VERIFY EXACT LOCATIONS PRIOR TO ROUGH-IN.
4. VERIFY ALL DOOR SWINGS WITH GENERAL CONTRACTOR PRIOR TO ROUGH-IN OF LIGHT SWITCH OUTLET BOXES.
5. ELECTRICAL CONTRACTOR SHALL BE RESPONSIBLE FOR PROVIDING ALL DISCONNECTS. SEE SPECS.

REGISTERED PROFESSIONAL ENGINEER
4274
Oregon
MAY 2, 1958
CAROL C. COLVIN

BALCHISER & COLVIN ENGINEERING
869 ROCKFELLY ST. P. O. BOX 2687
EUGENE, OREGON 97403
345-9478
68-AM-323