
City of Florence
Public Art Committee
Florence City Hall
250 Hwy 101
Florence, OR 97439
541-997-3437
www.ci.florence.or.us

October 9, 2017

AGENDA

10:00 a.m.

Members:	Harlen Springer, Chairperson	Susan Tive, Vice-Chairperson
	Jane Rincon, Member	Jo Beaudreau, Member
	Ron Hildenbrand, Member	Jennifer French, Member
	Jayne Smoley, Member	
	Joshua Greene, Council Ex-Officio Member	Kelli Weese, Staff Ex-Officio Member

With 48 hour prior notice, an interpreter and/or TDY: 541-997-3437, can be provided for the hearing impaired.
Meeting is wheelchair accessible.

CALL TO ORDER – ROLL CALL

Approx. 10:00 a.m.

1. APPROVAL OF AGENDA

2. PUBLIC COMMENTS

This is an opportunity for members of the audience to bring to the Public Art Committee's attention any item not otherwise listed on the Agenda. Comments will be limited to a maximum time of 15 minutes for all items.

3. PROJECT TEAM PROGRESS / OTHER DISCUSSION ITEMS

- Public Art Donations *Including- Horse Sculpture*
- Fundraising: *Including- Grant Opportunities*
- Art & Economic Prosperity Study 2015
- Siuslaw Bridge Steps: *Including- timeline & potential selection committee*
- Marketing & Community Outreach: *Including- Public Art Passport, Public Art Trail, and Media Outreach*
- Art Exposed Gallery in Old Town: *Including- Base design and call for artists*
- Hwy 101 & 126 Mural
- Trash Cans & Transit Stops

4. NEXT MEETING DATE, FUTURE AGENDA TOPICS AND HOMEWORK

- Review upcoming meeting dates/times
 - November 20, 2017 – Public Art Committee Meeting (**Rescheduled** to December 11th)
 - December 11, 2017 – Public Art Committee Meeting
 - *(Longer meeting that goes into lunch time to update work plan)*
 - December 18, 2017 – Public Art Committee Meeting (**Canceled**)
 - January 22, 2018 – Public Art Committee Meeting
 - February 19, 2018 – Public Art Committee Meeting (**Canceled**)
 - March 19, 2018 – Public Art Committee Meeting

Experience Florence

Where Every Day is a Celebration of the Arts

From: Harlen Springer
To: [Tive, Susan](#); [meltglassworks](#); [janerincon2](#); [Hildenbrand, Ron](#); [jpeninhand](#); [jbeaux](#)
Cc: [Joshua Greene](#); [Kelli Weese](#)
Subject: Fwd: Follow-up on your donation to Public Art
Date: Wednesday, September 27, 2017 1:48:07 PM
Attachments: [image001.jpg](#)
[image002.png](#)
[image003.png](#)
[image004.png](#)

To: the PAC:

As you will see when you open the link, the metal horse was made out of recycled oil drums by artists in Nairobi.

Also, since this note, both Ron and Sam have agreed that we will display this in public buildings (City Hall, Library, FEC) One new thought that came up is possibly having Siuslaw Glass make some kind of "display booth" so we could put it outside in a glass enclosure. (I will ask them about that)

So, for now, I think the only possibilities are the FEC and the Library, since City hall will be undergoing restoration.

We will need to vote on this at the meeting on October 9, and I welcome any additional thoughts.

Harlen

From: "Ron Green" <ron.green@opbc.com>
To: "Harlen Springer" <harlens@comcast.net>, "sam68488" <sam68488@gmail.com>
Cc: "janerincon2" <janerincon2@gmail.com>, "meltglassworks" <meltglassworks@gmail.com>
Sent: Monday, September 18, 2017 2:40:14 PM
Subject: RE: Follow-up on your donation to Public Art

Harlen, here is what I found about the item and artist. This link will take you to Swahilli Imports website. The piece is made by a group of metal artists called Kabiria Metal Works from Nairobi, led by an artist named Moses. All art is hand welded and made from recycled oil drums and scrapped engine parts. The company does not have a website, but there are a number of galleries in the U.S .that carry their work. I googled Kabiria Metal Works and got several hits.

<http://www.swahiliwholesale.com/kenyan-recycled-oil-drum-horse-statues>

Ron Green
President / Chief Executive Officer

Updated_opb_logo

www.opbc.com



Oregon Pacific Bank
P.O. Box 22000
Florence, Oregon 97439
Phone: (541) 902-9800
Fax: (541) 997-1787
Cell: (541) 999-1908
Email: ron.green@opbc.com

From: Harlen Springer [mailto:harlens@comcast.net]
Sent: Monday, September 18, 2017 2:22 PM
To: sam68488@gmail.com; Ron Green <ron.green@opbc.com>
Cc: janerincon2 <janerincon2@gmail.com>; meltglassworks <meltglassworks@gmail.com>
Subject: Follow-up on your donation to Public Art

Sam and Ron,

First, let me say again how grateful I am for your donation to Public Art.

The Committee met today and everyone is very excited about this gift, and we agree that it needs to be placed in an indoor location to preserve it's structural integrity. There are just a couple of things that need to be clarified before we can finalize this.

1. We need the information about the artist and the country of origin.
2. Since our primary mission is to place art in public spaces, our first priority needs to be to locate the work in public locations such as the FEC, City Hall, the Library, etc. It is possible that we could place the art in private locations in the future (OPB, restaurants, etc) but we cannot promise that at this time. I just wanted to clarify that before we make a final agreement. As I stated, wherever it is placed, a plaque would be installed identifying you as the donors and we would do a PR "event" at the time of placement.

Again, we are very excited about this, and hope that this beautiful piece can join our collection.

Please contact me with any questions, and I look forward to hearing from you.

Harlen

harlens@comcast.net

cell: (415) 686-2358

This Email transmission may contain confidential or privileged information. It is intended only for the recipient named above. If you are not the intended recipient, any

disclosures or copying of this transmission or the taking of any action based on this transmission, is strictly prohibited. If you have received this in error, please immediately notify us by telephone to arrange for its return. Oregon Pacific Bank, 541-997-7121.

ONLINE CATALOG > Sculpture > Garden Art & One-of-a-Kind > Kenyan Recycled Oil Drum Horse Statues

Kenyan Recycled Oil Drum Horse Statues



Log In for Pricing or to Order

SKU: oak29ab

Availability: In Stock

Origin: Kenya

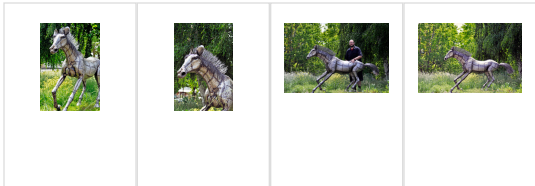
Size: [Large] 107"L x 20"W x 65"T [Small] 100"L x 16"W x 54"T (sizes may vary slightly)

Materials: Recycled metal

Description

Driving out of Nairobi on Ngong Road, we find Kabiria Metal Works, where Moses and his crew of metal artists weld realistic and abstract statues from recycled oil drums and scrapped engine parts.

Available in two sizes, these beautifully styled horse sculptures make a beautiful addition to the home or garden. Each statue is handcrafted from the ground up and exhibits its own unique characteristics. These oversize sculptures are shipped on a pallet. To request a shipping quote, email customer service.



[ABOUT SWAHILI](#) [CUSTOMER CARE](#) [TRADE SHOWS](#) [ARTISANS](#) [SIGNAGE](#) [WEEKLY SALE](#) [FAIR TRADE FEDERATION](#)
[SWAHILI RETAIL](#)



Enjoy saving money? Join our email list for weekly Survivor Savings discounts.

Swahili Wholesale | | 541.684.0688 | [Email Us](#)

© Copyright 2017. All rights reserved. Responsive Website Design by HEROWeb Content Management System by MightyMerchant v5.1

From: Kevan Ridgway
To: [Harlen Springer](#)
Cc: [Hannigan, Bettina](#); [Jennifer Connor](#); [jbeaux](#); [jenna](#); [Kelli Weese](#)
Subject: Re: Florence Art Trail Photos & Info
Date: Saturday, September 30, 2017 10:50:41 AM

That is excellent, Harlen. I already told Marcus that Florence gets my Gold Star for their commitment to the development of the Public Art Trail. I'll keep you posted as the project progresses.

Cheers!

Kevan

On Sat, Sep 30, 2017 at 10:46 AM Harlen Springer <harlens@comcast.net> wrote:

To: Kevan,

I am forwarding an e-mail from Jo Beaudreau, a member of our Public Art committee, who has photographed and documented the works we have available. You can find a list of the works and their locations in the attached "Public Art Trail-doc" and photos of the work are in the link in the e-mail.

You will also find a link to the images of 15 trash cans that were painted by local students in the e-mail. This project was coordinated by the Public Art committee working with the School District and the Public Works Department, and these are located throughout Old Town Florence along Bay Street.

Also attached is information on the "Dancing with the Sea Lions" project, which celebrated the anniversary of the Florence Events Center. There are 12 Sea Lions located around town and the locations and an interactive on-line map are included in the information. Each Sea Lion was painted by different local artists. (Specific questions on the Sea Lions should be directed to Jennifer Connor at the Events Center: Jennifer@eventcenter.org).

Finally, we have included lists of local galleries in both jpeg and pdf format. This is from our recently published "Passport for the Arts" program, which we are using to help drive more visitors to our galleries. As you can see, there is a great deal of excitement around Public Art as well the entire Art "scene" here in Florence.

I hope this is everything you need. We remain very excited about the Public Art Trail program, and if you have any further questions or need more information, please let me know.

Harlen

.

List of Works

The attached word doc has information about the works we have.

Photos

I've photographed them all, not all things are very well photographed, like the tapestry, and stuff in City Hall. Sorry. We can work out a studio shoot another time.

Here is a link for the images from the list they are uploading right now and should be done soon, the names of the images are named the name of the works listed and my image numbers:

https://www.dropbox.com/sh/dwloi0lcvbdw6k0/AACQp9pWM2JCB_FJoZrtZIUja?dl=0

Trash Cans Photos in Locations:

<https://www.dropbox.com/sh/js5cnopualw4gl3/AACBJi1XUtdMkYc5tnKUdfENa?dl=0>

Florence Art Passport

There are so many cool Art things going on in Florence, I think it would still be great to highlight these too. #FlorenceArtPassport & @FlorenceArtPassport

Map of Florence Passport:

<https://drive.google.com/open?id=1PkijPU5oV9fX4Xt3fTtroBub2Ck&usp=sharing>

--

Kevan J. Ridgway
Minds Aligned Group LLC
P.O. Box 170, Tolovana Park, Oregon, 97145
(O) 503-436-4081
(M) 503-440-3728

From: Jo Beaudreau
To: [Harlen Springer](#)
Cc: [Kelli Weese](#)
Subject: Florence Art Trail Photos & Info
Date: Friday, September 29, 2017 11:07:22 PM
Attachments: [FINAL 3-2018 Updated Gallery Listing2.jpg](#)
[FINAL 3-2018 Updated Gallery Listing.pdf](#)
[FINAL 3-2018 Updated Gallery Listing.jpg](#)
[Florence Public Art Trail.docx](#)

Dear Harlen and Kelli,

I've finished up/ish the Florence Art Trail stuff for that guy. This better not be a for profit venture.

List of Works

The attached word doc has information about the works we have, that I could collect.

Photos

I've photographed them all, not all thing are very well photographed, like the tapestry, and stuff in City Hall. Sorry. We can work out a studio shoot another time.

I have a separate file folder for our internal images, which I can get Kelli at a later date.

Here is a link for the images from the list for him, they are uploading right now and should be done soon, the names of the images are named the name of the works listed and my image numbers:

https://www.dropbox.com/sh/dwloi0lcvbdw6k0/AACQp9pWM2JCB_FJoZrtZIUja?dl=0

Trash Cans Photos in Locations:

<https://www.dropbox.com/sh/js5cnopualw4g13/AACBJi1XUtdMkYc5tnKUdfENa?dl=0>

Sea Lions:

Where you able to speak with Jennifer about the Sea Lions?

Florence Art Passport

There are so many cool Art things going on in Florence, I think it would still be great to highlight these too. #FlorenceArtPassport & @FlorenceArtPassport

Map of Florence Passport:

<https://drive.google.com/open?id=1PkijPU5oV9fX4Xt3fTtroBub2Ck&usp=sharing>

GALLERIES

Florence is Blooming with the Arts!

The Florence Art Passport is your ticket to discover and explore the Arts in Florence.

Visit all Art Passport participating locations (**Red**), get your stickers and return your entry form (see form & instructions) to win from a selection of exciting gifts from our local artists and businesses by March 31, 2018.

Be sure to check out the other suggested areas of interest around town (**Teal**). There are a plethora of art locations to discover! Share your experiences on your favorite social media site using #FlorenceArtPassport.



OLD TOWN

1. Florence Area Chamber of Commerce

290 Highway 101
541-997-3128

FlorenceChamber.com
facebook.com/FlorenceOregon

2. Alissa Clark Clayworks

180 Laurel Street
503-957-5222

alissaclarkclayworks.etsy.com
facebook.com/alissaclarkclayworks

3. FRAA - Florence Regional Arts Alliance

120 Maple Street
541-997-4435

FRAAOregon.org
facebook.com/
FlorenceRegionalArtsAlliance

4. The Studios

1458 1st Street
541-991-0110

JayneSmoleyDesign.com
facebook.com/JayneSmoleyDesign

5. Old Town Coffee Roasters

125 1/2 Nopal Street
541-997-1786

6. Backstreet Gallery

1421 Bay Street
541-997-8980

BackStreetGallery.org
facebook.com/BackstreetGallery

7. Vardanian Gallery

1300 Bay Street
541-902-1391

bit.ly/TheVardanianArtGallery

8. The Hideaway Gallery

1254 Bay Street
541-999-7468 or 541-999-8051

GALLERIES

9. The River Gallery

1335 Bay Street
541-902-2505
TheRiverGallery.org

10. Old Town Barbershop

1341 Bay Street
541-590-3660
facebook.com/
oldtownbarbershopflorence

11. Rodger Bennett Photography

228 A Harbor Street
541-991-3455

MIDTOWN & ANTIQUÉ DISTRICT

12. Purple Pelican

478 Hwy 101
541-997-2220
facebook.com/PurplePelicanAntiqueMall

13. Siuslaw Public Library

1460 9th Street
541-997-3132
SiuslawLibrary.info
facebook.com/Siuslaw-Public-
Library-42354854110

14. Florence Events Center

715 Quince Street
541-997-1994
EventCenter.org
facebook.com/FlorenceEventCenter

UP TOWN 101

15. BeauxArts Fine Art Materials & Gallery

2285 Highway 101 Suite H
541-991-8213
BeauxArtsFineArt.com
facebook.com/
BeauxArtsFineArtMaterials

16. Frames of Florence

2285 Highway 101 Suite G
541-997-2043

17. Silver Lining Boutique & the Gallery Above

2217 Highway 101
541-997-2440
SilverLiningBoutique.com
bit.ly/SilverLiningBoutique

Florence Public Art
See Pages 6 & 7

Dancing with Sea Lions Map
See Page 8

Other Business that
Showcase Local Art

Oregon Pacific Bank
Peace Health Hospital Florence
Fresh Harvest
Pacific Frameworks
Digital Dunes Photography
Driftwood Shores Lobby Gallery
Oregon Coast Military Museum
Oregon Coast Tattoo & Gallery
Siuslaw Pioneer Museum
Siuslaw News



Even though the Dancing with Sea Lions Project has ended, most Sea Lions can still be enjoyed!

Visit the publicly displayed *Dancing with Sea Lions* locations from Waldport, Yachats through Florence to Reedsport on Hwy 101.

Take the *Where Are They Now Tour* of the *Dancing with Sea Lions* via our interactive online map:

bit.ly/WhereAreTheyNowDancingWithSeaLions

Be Sure to Share your experience with us on our facebook page (facebook.com/DancingWithSeaLions) and #DancingWithSeaLions!

FLORENCE AREA SEA LIONS

1. *Thalassa* by Brian Bloss; Now Located at 91560 Hwy 101 (Sea Lion Caves)
2. *Moonburst* by Jane Connelley; Located at 91560 Hwy 101 (Sea Lion Caves)
3. *Diver's Story* by Kassy Keppol; Now Located at 1355 Hwy 101 (Oregon Pacific Bank)
4. *Pinniped Parade* by Terry Woodall; Located 5647 Hwy 126 (Three Rivers Casino & Resort Florence)
5. *Porter Performs* by Colleen Goodwin-Chronister; Located 715 Quince St (Florence Events Center)
6. *Rhody* by Frances Rogers; Located 715 Quince St (Florence Events Center)

7. *Green-Eyed Sue* by Matt Hawk; Located at Maple Street & Bay St
8. *Umi No Nami* by Ellen Huntingdon; Located at City of Florence Interpretive Center
9. *Sunny the Sea Lion* by Isabella Castle; Now Located at 290 Hwy 101 (Florence Chamber of Commerce)
10. *Feeling Fabulous* by Rosy Clark; Located 777 Hwy 101 (Banner Bank)
11. *Eco and the Ecosystems of Oregon* by Benjamin Cahoon; Located 1460 W 9th St (Siuslaw Public Library Florence Location)
12. *Heceta Takes Flight* by Julie Larson; Now Located at 400 W 9th St (PeaceHealth Florence)

FLORENCE Detailed Map
*Not to Scale

This project was made possible by our generous sponsors, underwriters, in-kind donors, artists, and community members.

Thank you for your generosity and supporting the arts in our community.

ORIGINAL UNDERWRITERS & SPONSORS

Community of Volunteers Supporting the FEC

City of Florence

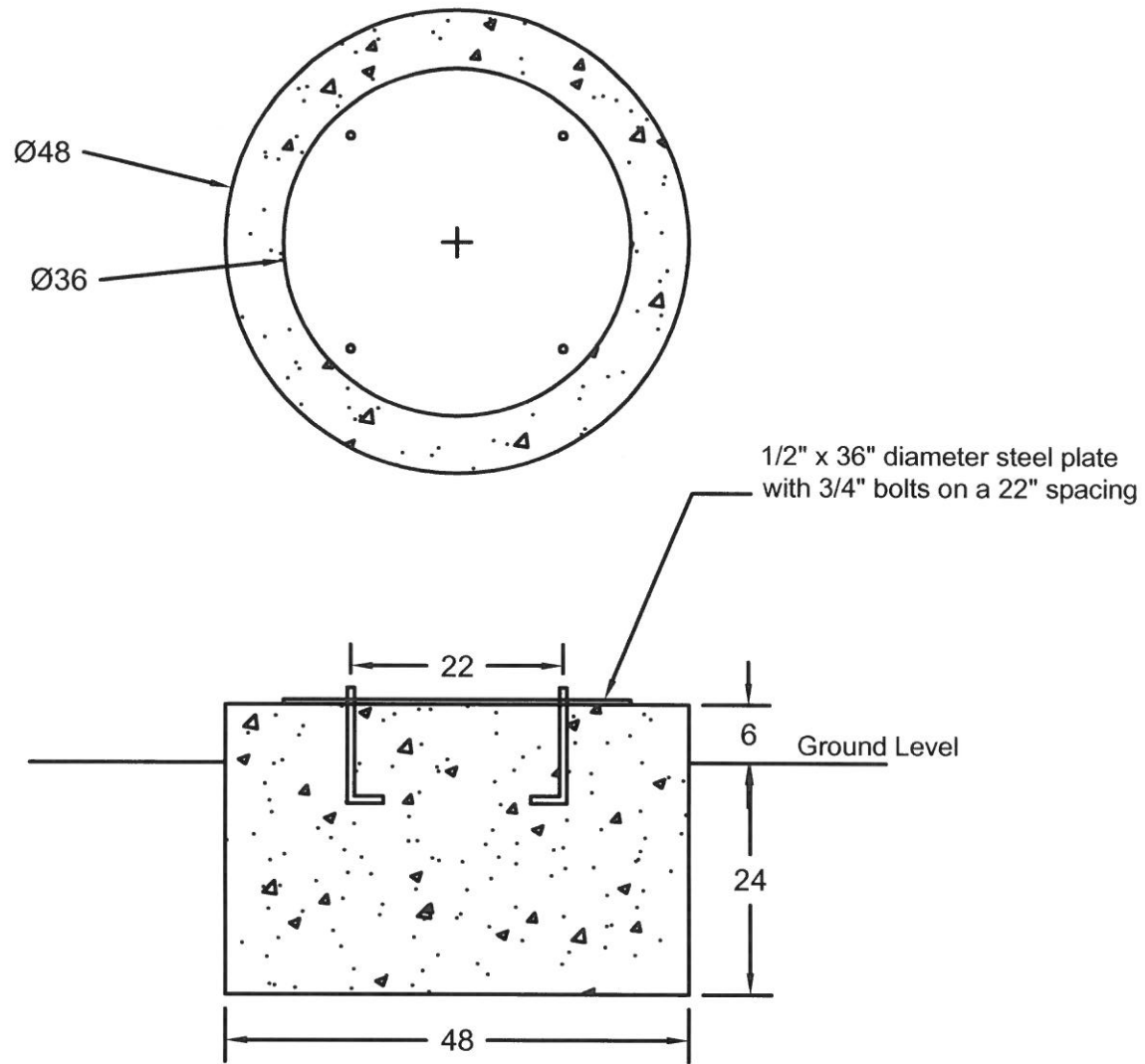
CASINO RESORT

SEA LION CAVES

FURA FLORENCE TRADING COMPANY

bit.ly/DwSLsponsorship

Art Exposed



DATE: 09/08/17	FILE NAME: Art Base	SCALE: Not to Scale	BY: City of Florence
----------------	---------------------	---------------------	----------------------